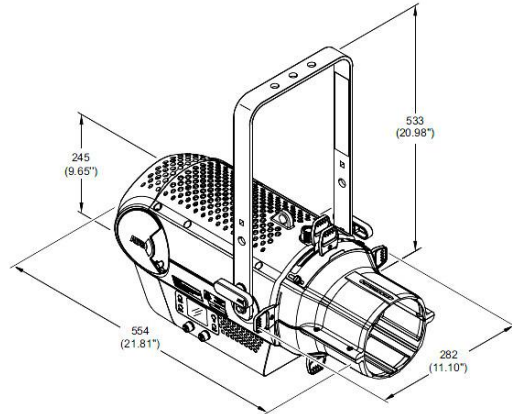


MODEL: ACTORIS PROFILE FC

CODE: AL2015

April 24, 2024



LIGHT SOURCE:

- Source type:**
 - LED (Red + Green + Blue + Amber + Lime + Royal Blue)
 - Power:**
 - 370 W
 - Color temperature:**
 - 2500 to 10.000 K – with perfect Plank-curve CCT
 - CRI:**
 - ≤97
 - LED life expectancy:**
 - 50.000 L70*
- * It may vary depending on various factors, such as the type of use and environment

PHOTOMETRIC DATA:

- Zoom range:**
 - 15 – 30°
 - 25 – 50°
- Fixed lenses:**
 - 5° / 10° / 14° / 19° / 26° / 36° / 50°
- Lm output:**
 - Up to 12.750 Lm (integrating sphere)
- Optical syt.:**
 - CP interchangeable lens

NOISE LEVEL:

- Autofan mod.:**
 - Variable output
- Fixed presets:**
 - 25 / 27 / 30 / 35 dBA
- Fanless mode:**
 - With reduced output

CONTROL & CONNECTIONS:

- Personalities:**
 - 4 modes + 1 stand alone
 - 4/6/15/31 DMX control parameters
- Protocols:**
 - DMX, Art-Net, sACN, RDM
- Connectors:**
 - Locking 5 pin XLR IN/OUT
 - RJ45 IN/OUT
- Power con.:**
 - PowerCon True1 IN/OUT
- Web server:**
 - Built-in
- CloudIO:**
 - Fully compatible
 - On-field calibration for color consistency

DYNAMIC EFFECTS:

- Colors:**
 - Colors control mode RGBAL + ROYAL BLUE
 - Tungsten mode, to replicate the behavior of a tungsten lamp during dimming from 0 to 100% and vice versa
 - Tint correction: ± green/magenta adjustments
 - Flicker-free, thanks to PWM frequency adjustment
 - Color control with Advanced, Standard, White and Single-Channel modes
 - Color temperature adjustment
 - Wide color gamut and extended spectrum, including deep blue and deep red
 - Combined fixture calibration ensures colors consistency despite changes in temperature and over time
 - Wavelength binning selection and 100% fixture calibration ensures color repeatability fixture-to-fixture

- Dimmer:** • High resolution electronic dimmer - 24 bit, 5 curves
- Shutter / Strobe:** • Up to 25 f./sec.
- Framing:** • 4 blades manual framing system

HARDWARE & SOFTWARE:

- Long life self-charging battery
- Display graphic LCD backlit B/W display
- Firmware upload from another fixture
- Firmware upgrade via Web Server
- Diagnostic
- DMX monitoring
- Remote access through RDM

HOUSING:

- Aluminum and steel structure with plastic covers
- One back-side handle
- IP20 rated
- Built in bracket
- Optional safety chain
- Working in any position

ELECTRICAL:

- Operating voltage:** • 100-120 / 200-240V, 50/60Hz
- Power Supply:** • Electronic auto range with active PFC
- MAX Power consumption:** • 420W

THERMAL SPECIFICATION:

- MAX Ambient temperature:** • 45°C (113°F)
- Min Ambient Temperature:** • -20°C (-4°F)
- MAX temp. of the ext. surface:** • 47°C (116,6 °F)
- Total heat dissipation:** • 1400 BTU/hr ±10% / 1476 kJ/hr ±10%

SAFETY SPECIFICATIONS:

- Min. dist. of illum. objs:** • 0,5 m (1'8")
- Min. dist. from flamm. mat.:** • 0,2 m (8")
- Protections:** • Forced ventilation with axial fans
• T6.3A fuse

COMPLIANCE:

CE Marking (in conformity to the following):

- 2014/35/EU – Low Voltage directive (LVD)
- 2014/30/EU – Electromagnetic compatibility of equipment (EMC)
- 2011/65/EU - Restriction of the use of certain hazardous substances (RoHS)
- 2009/125/EC - EcoDesign requirements for Energy-related Products (ErP)

UKCA conforms to UK regulations:

- S.I. 2016 N.1101
- S.I. 2016 N.1091
- S.I. 2012 N.3032
- S.I. 2021 N.745

cMETus LISTED:

- UL1573
- CSA C22.2 N.166:2015

PACKAGING:

- Carton box + Polystyrene

WEIGHT & SIZES:

- Weight:** • 8,34 Kg
• 18,4 lbs
- Dimensions:** • 282 x 554 x 245 mm
• 11,1 x 21,8 x 9,65 in

ACCESSORIES:

- Gobo holder:** • AA2036000102 (Optional)
- Frost fil. hold.:** • AA2035000102 (Optional)
- Iris holder:** • AA2037000102 (Optional)
- Adjustable zoom lens:** • 15° – 30°: AA2029000102
• 5 – 50°: AA2030000102
- Color filter holder: (Optional)** • D5: AA2031000102
• D10: AA2032000102
• D14: AA2033000102
• D19: AA2034000102
- ETL Power:** • CAB02B-802 (Included)
* Cord 1.5 m (bare end with IP65 PowerConTrue1 conn.)
- Fixed lens: (Optional)** • 5°: AA2022000102
• 10°: AA2023000102
• 14°: AA2024000102
• 19°: AA2025000102
• 26°: AA2026000102
• 36°: AA2027000102
• 50°: AA2028000102
- Clamp:** • C21070 (Optional)
- Safety Chain:** • 105041-001 (Optional)